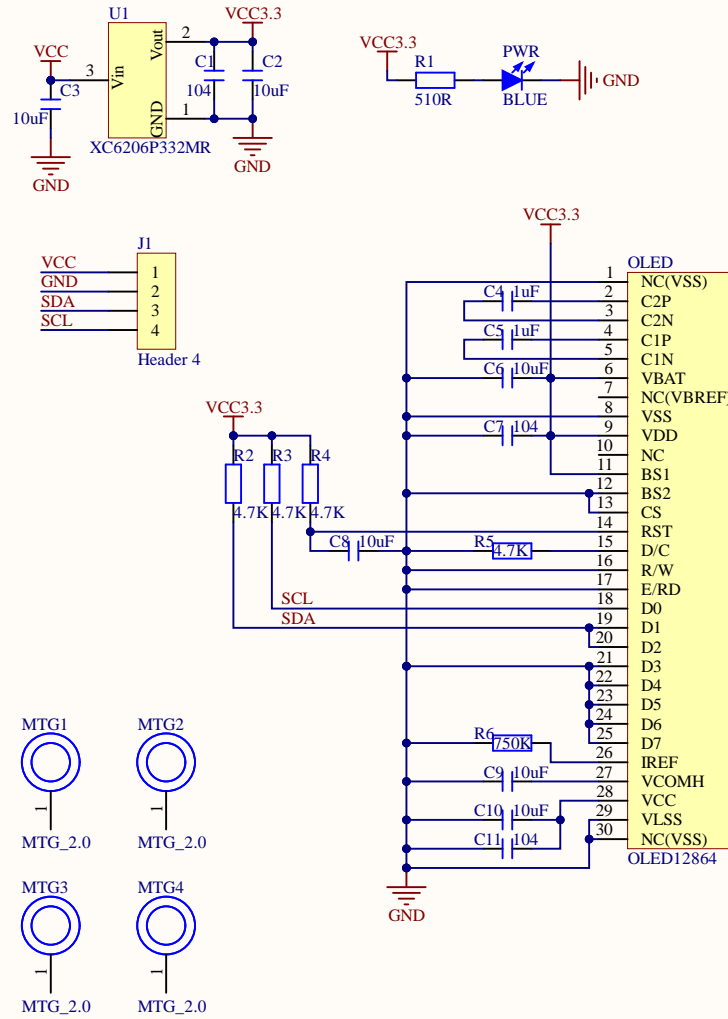


OLED



Title: ATK-MB022.PrjPcb	
Author: ALIENTEK	Size: A4
Date: 2024/10/10	File: ATK-MB022.SchDoc
Revision: *	Version: V1.0



